

H G F E D C B A

4

3

2

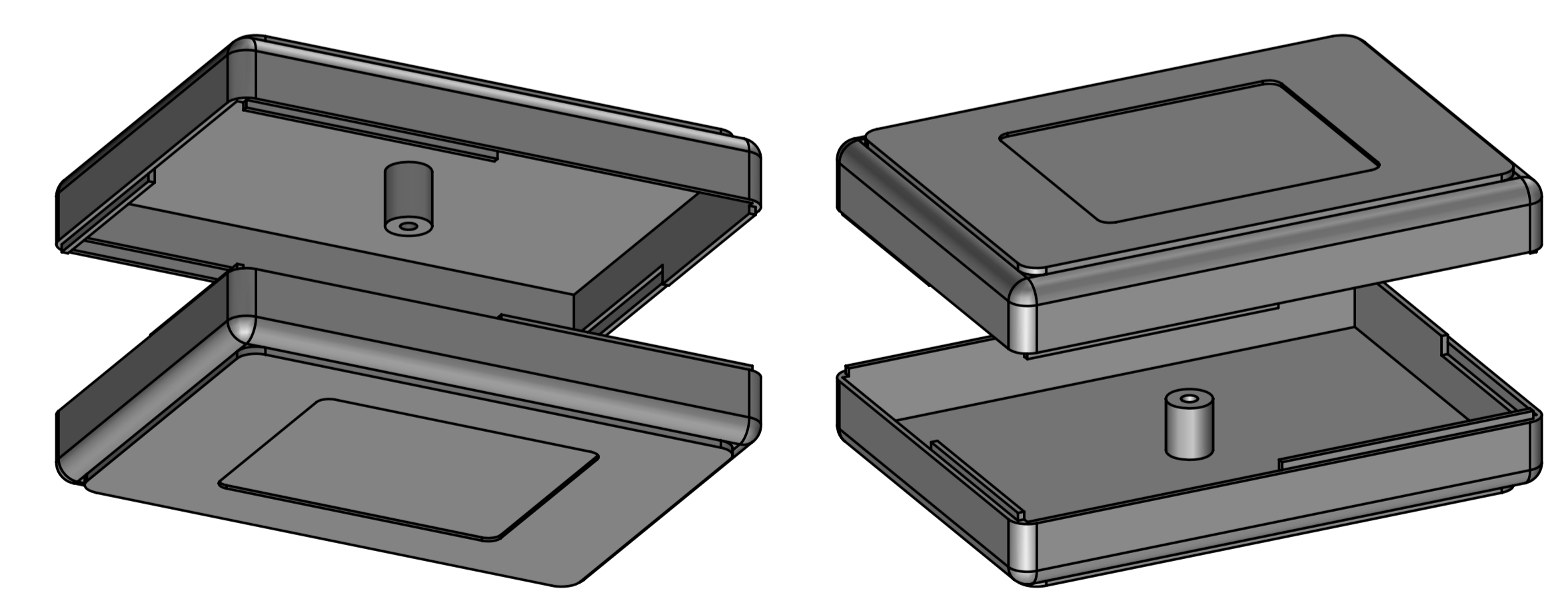
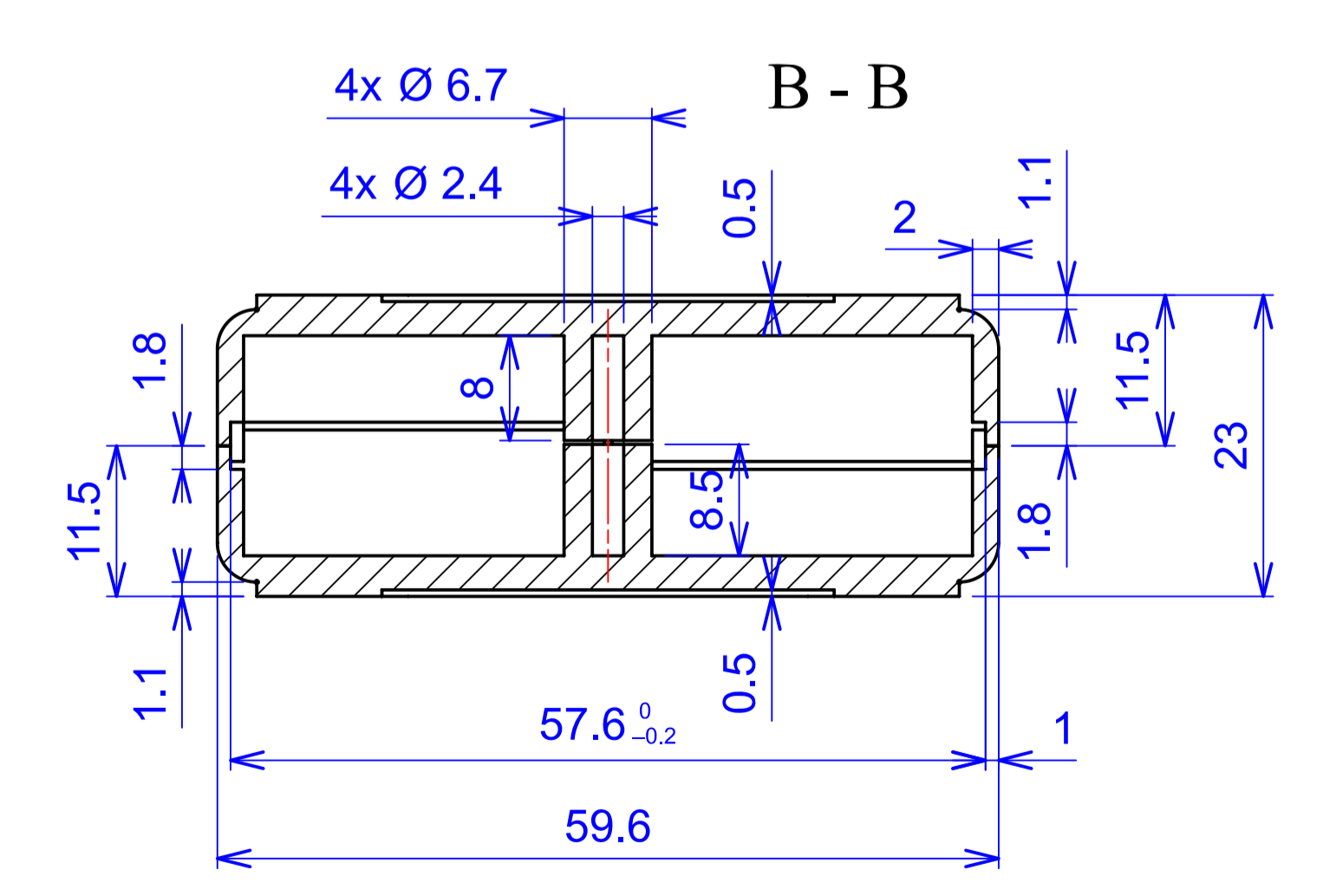
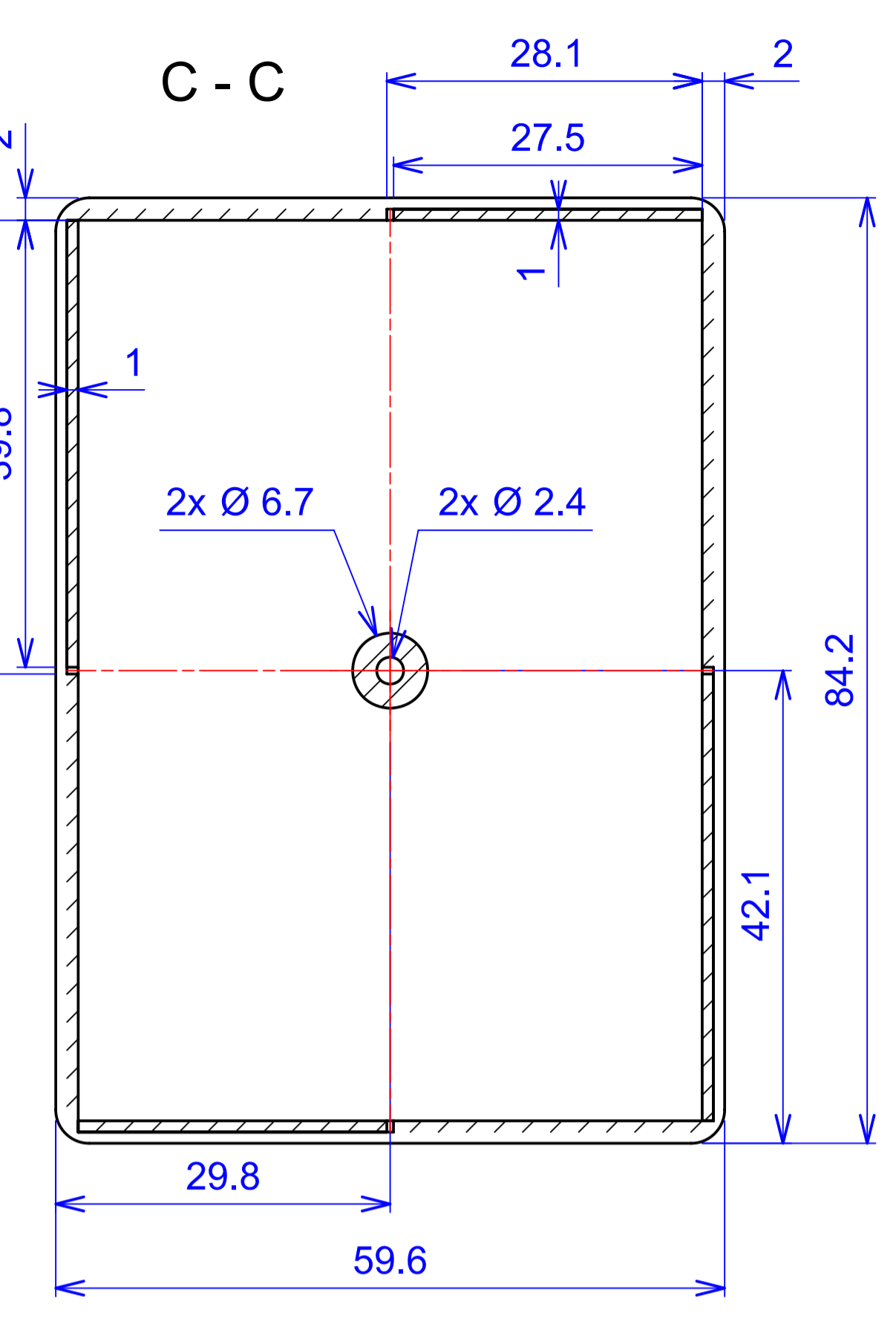
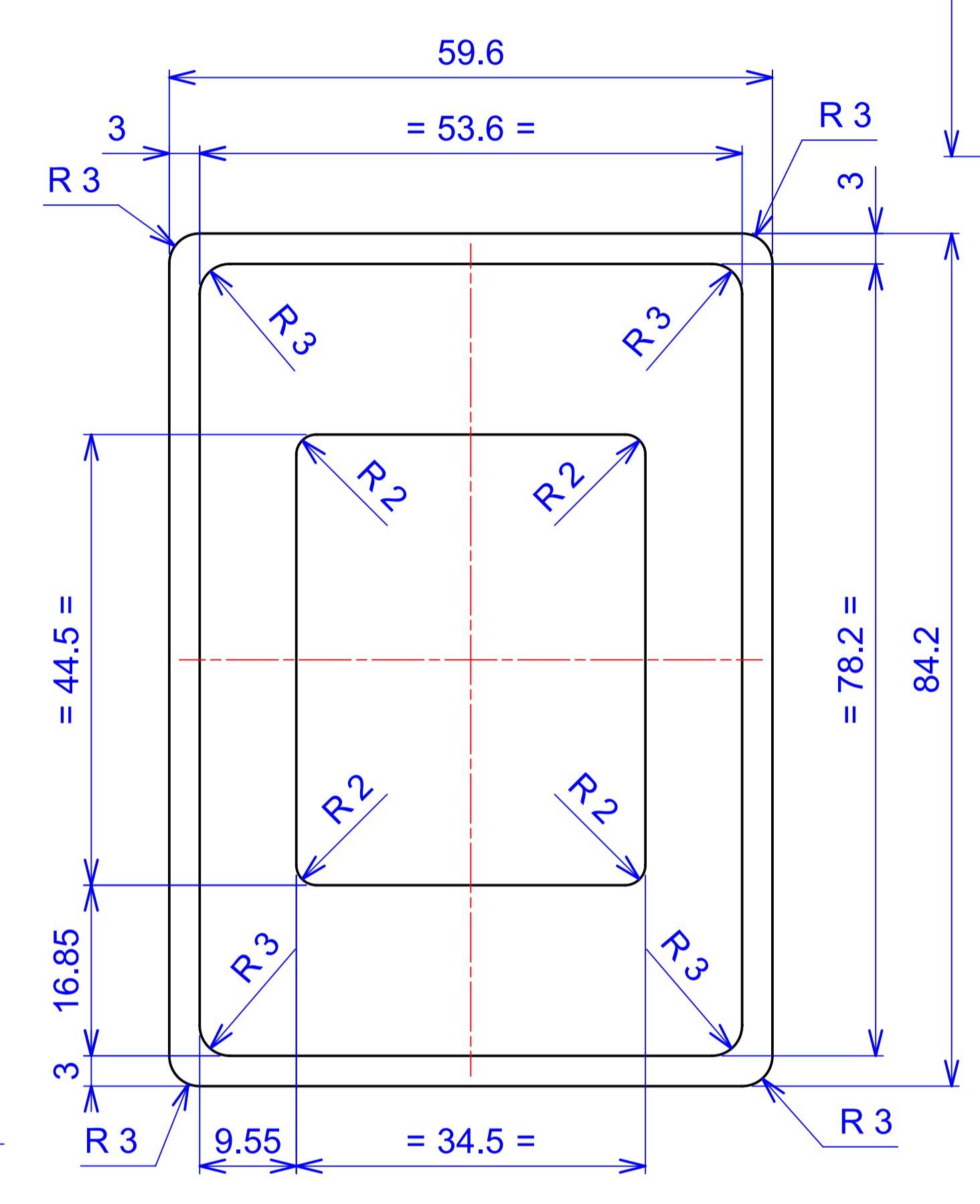
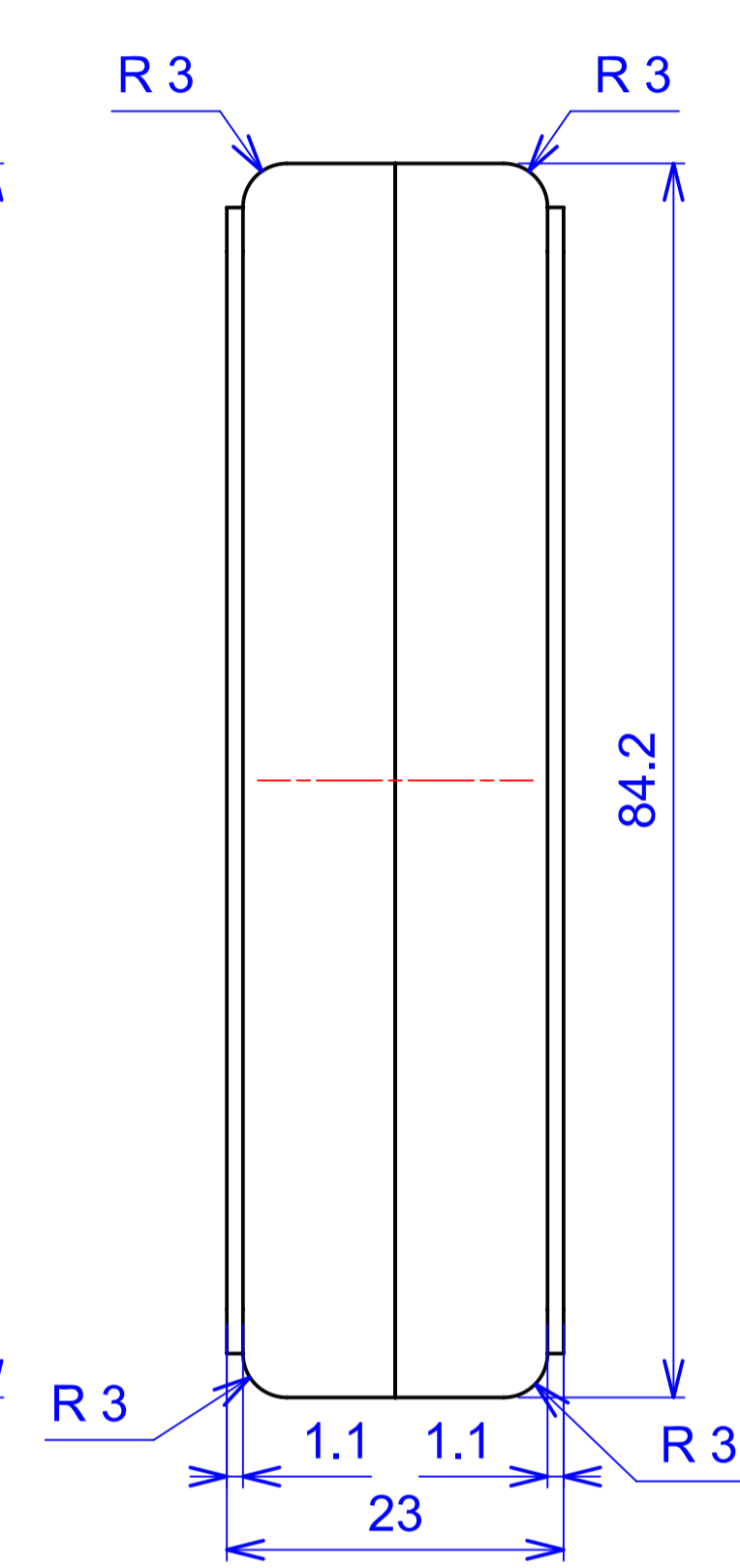
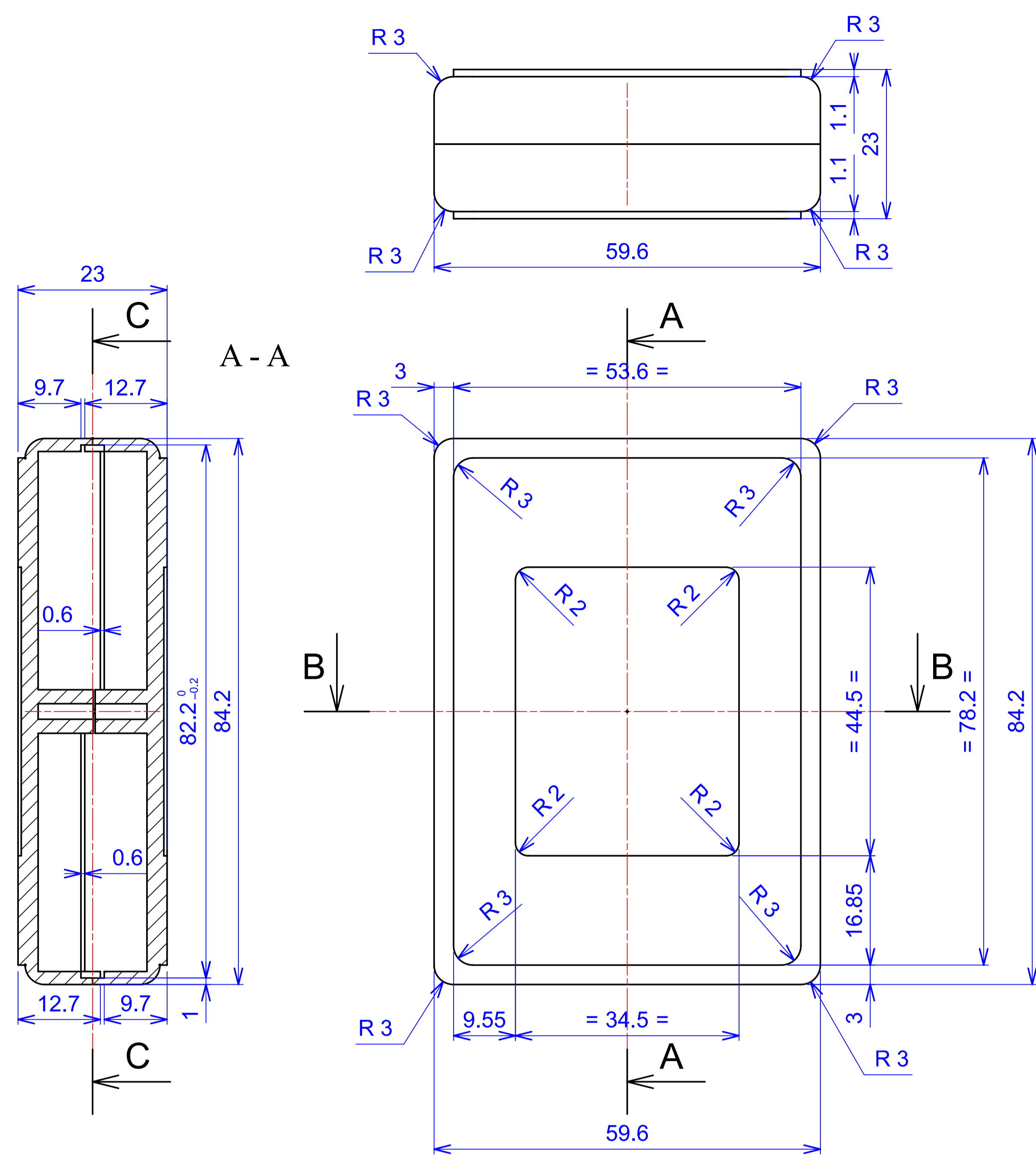
1

4

3

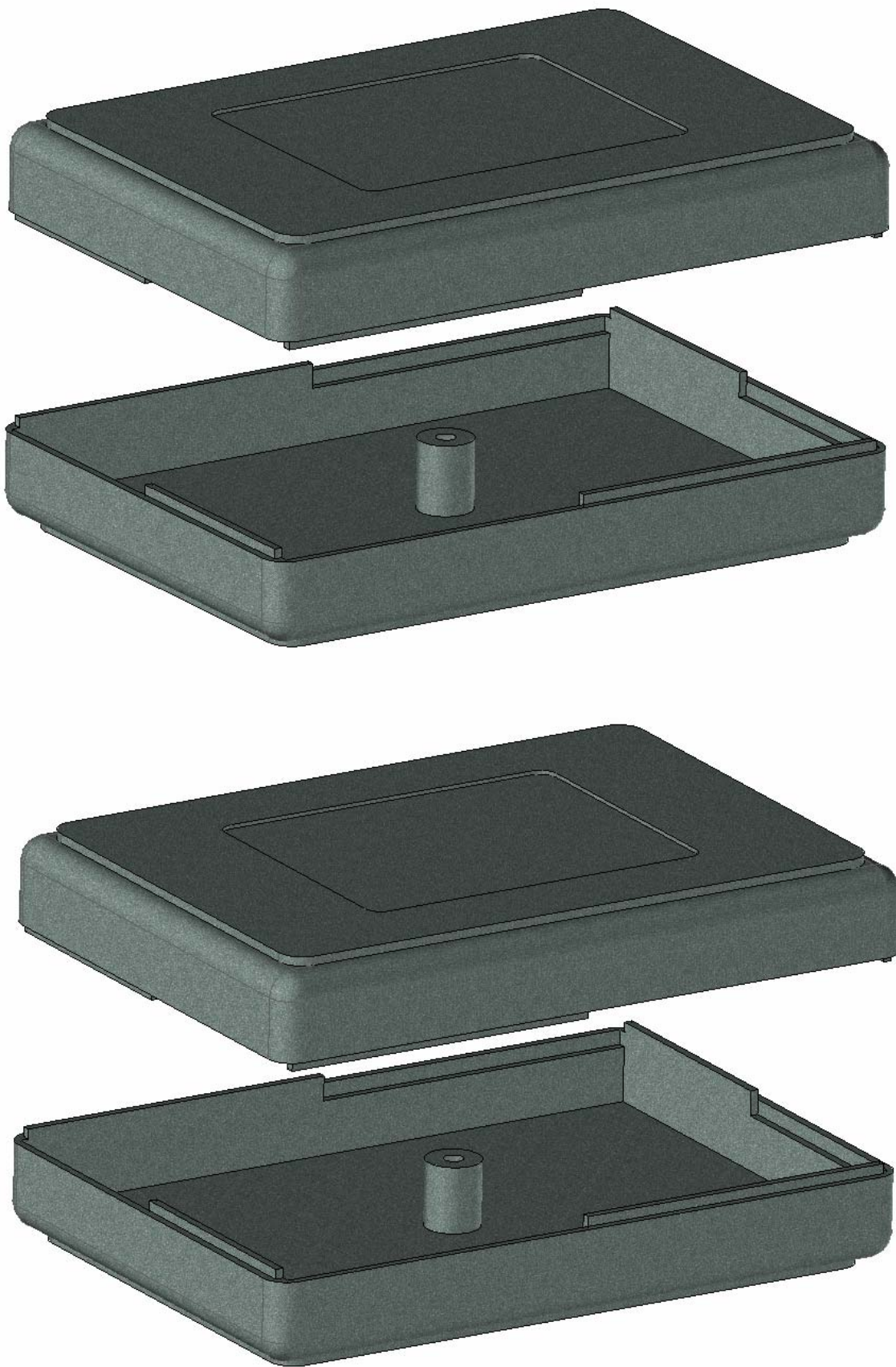
2

1

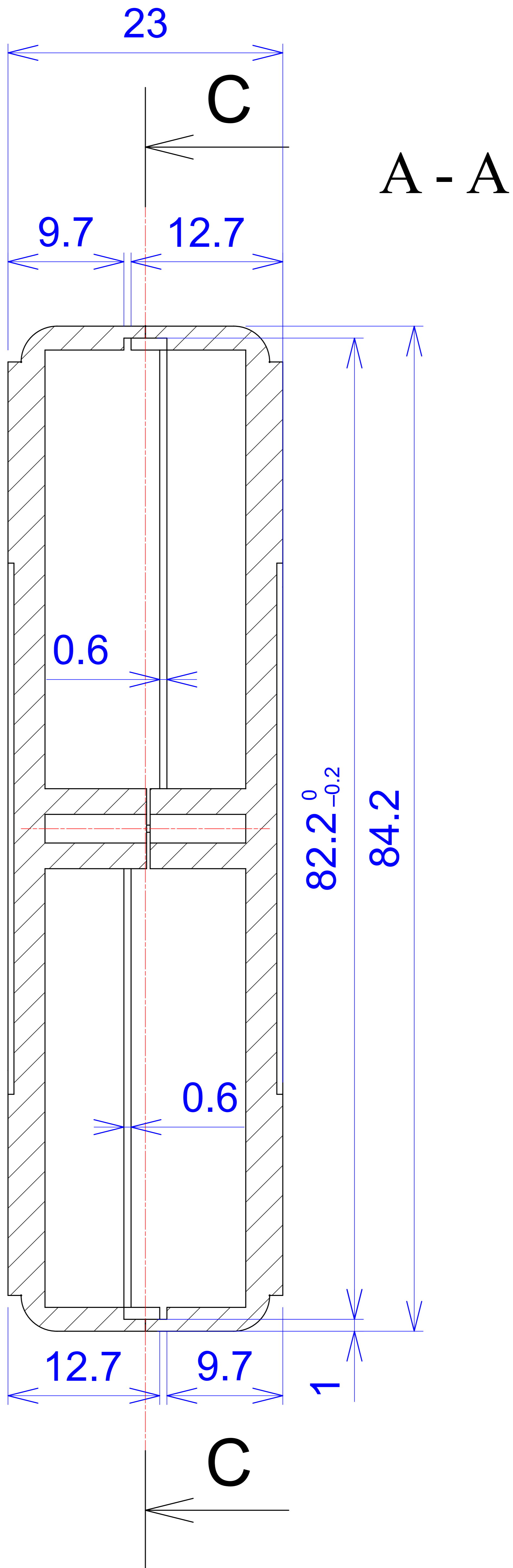


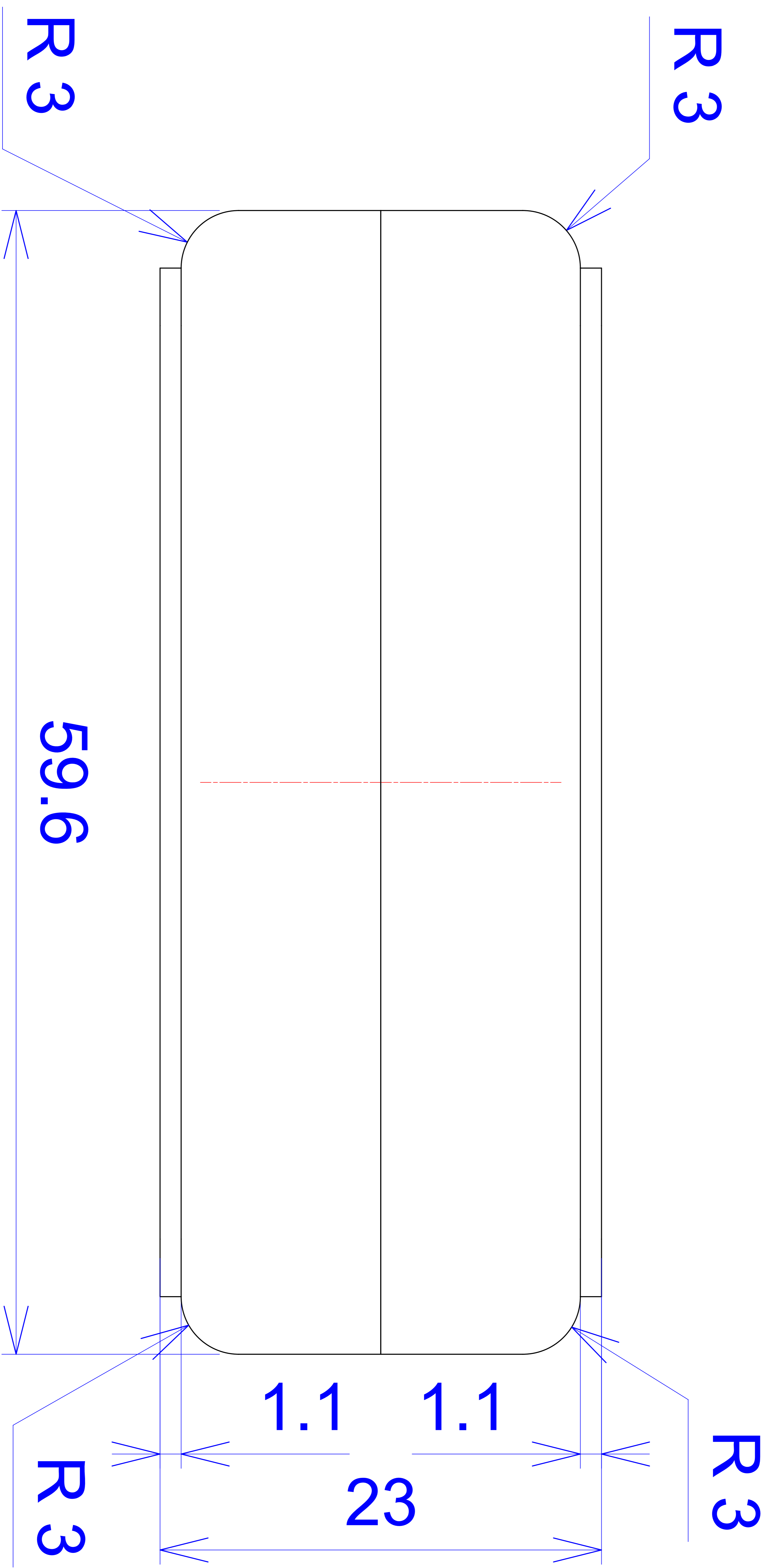
H G F E D C B A

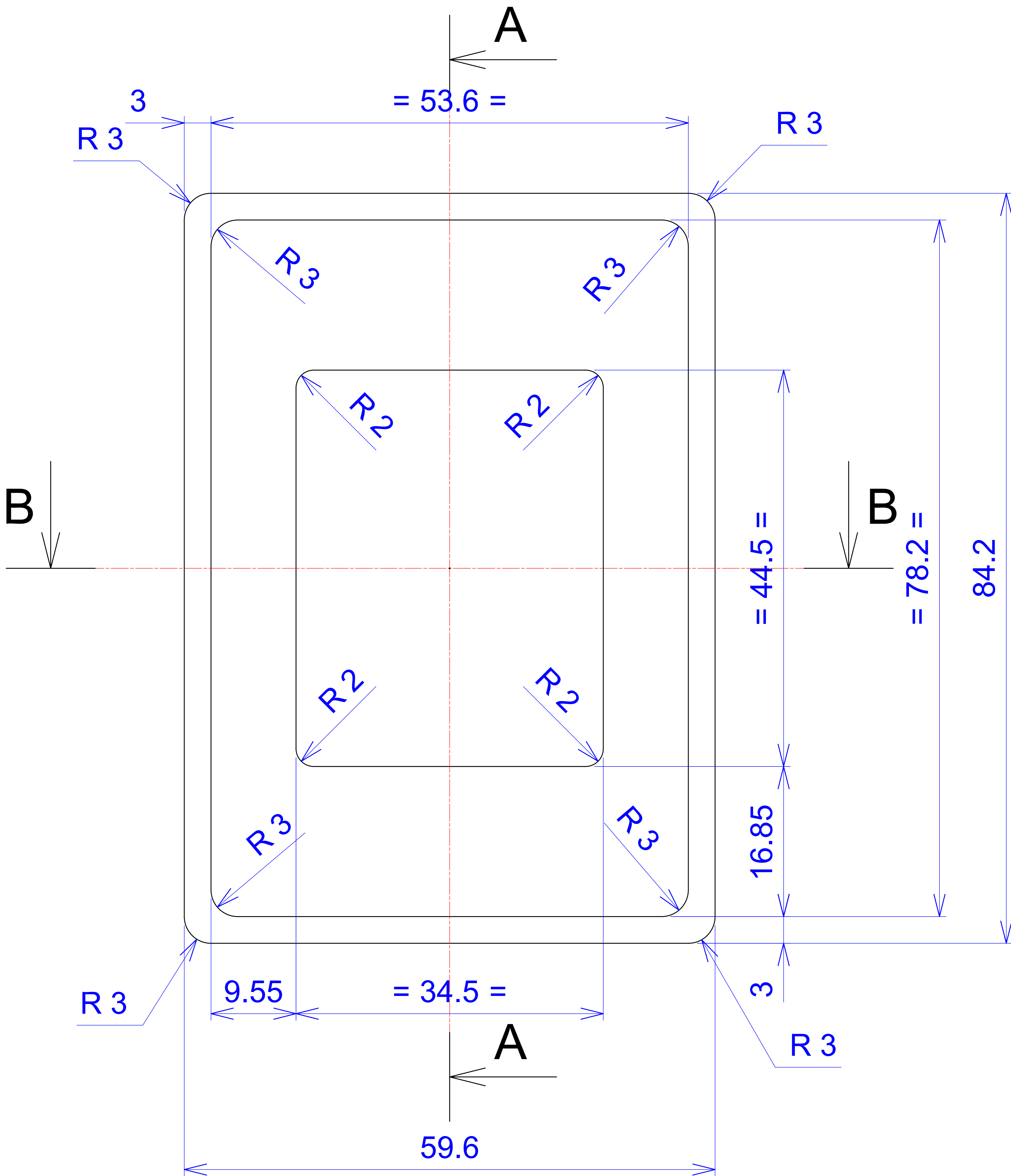


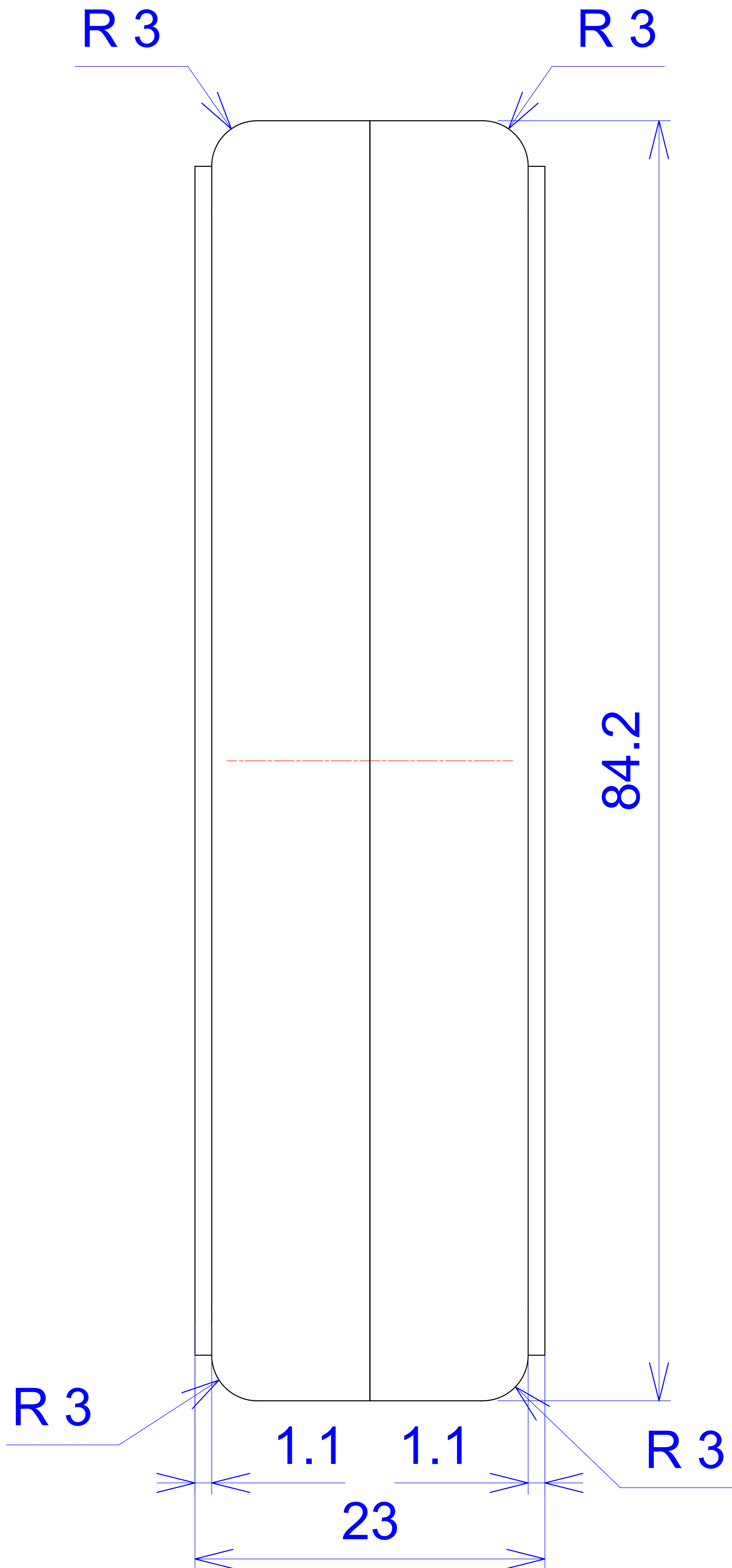




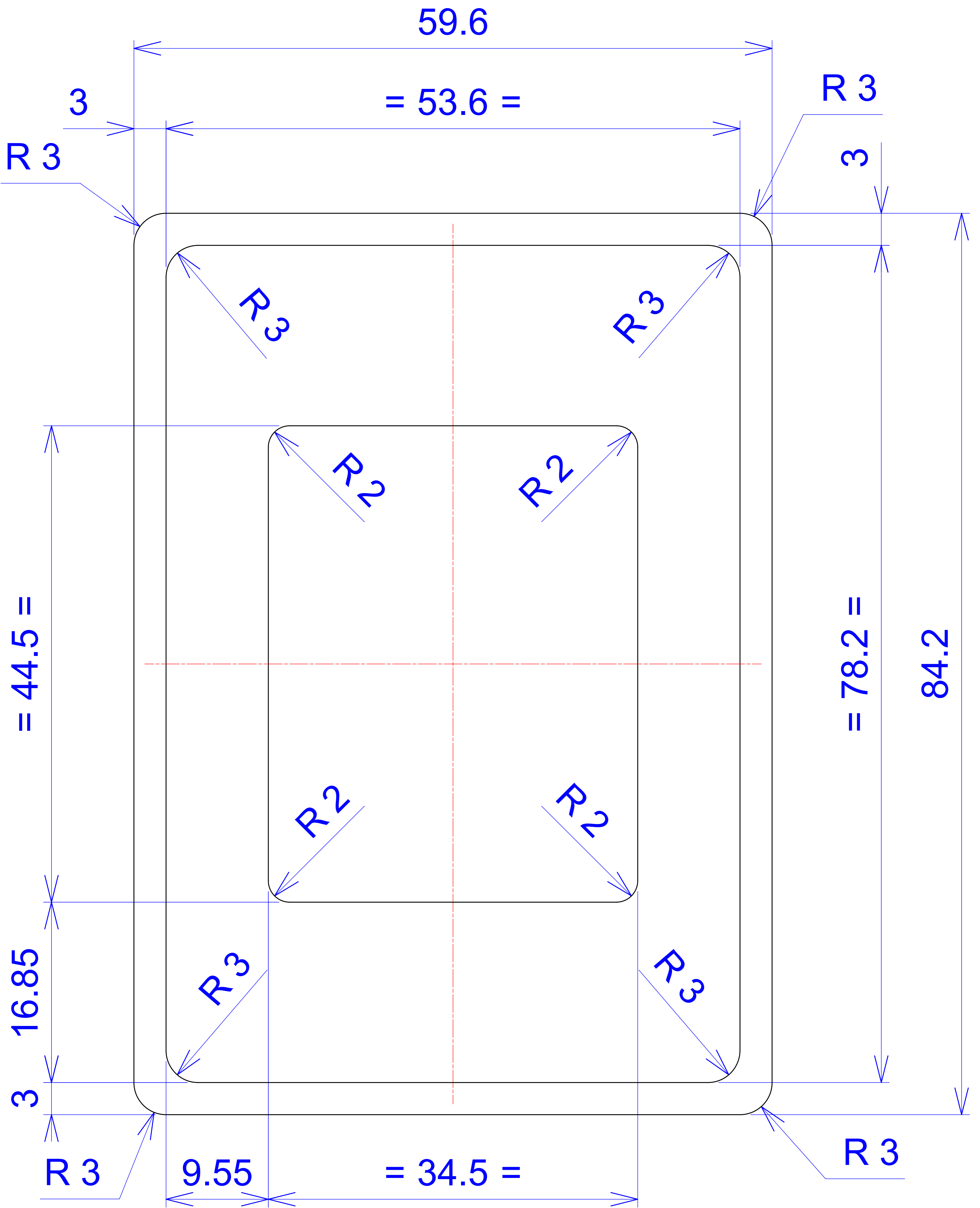




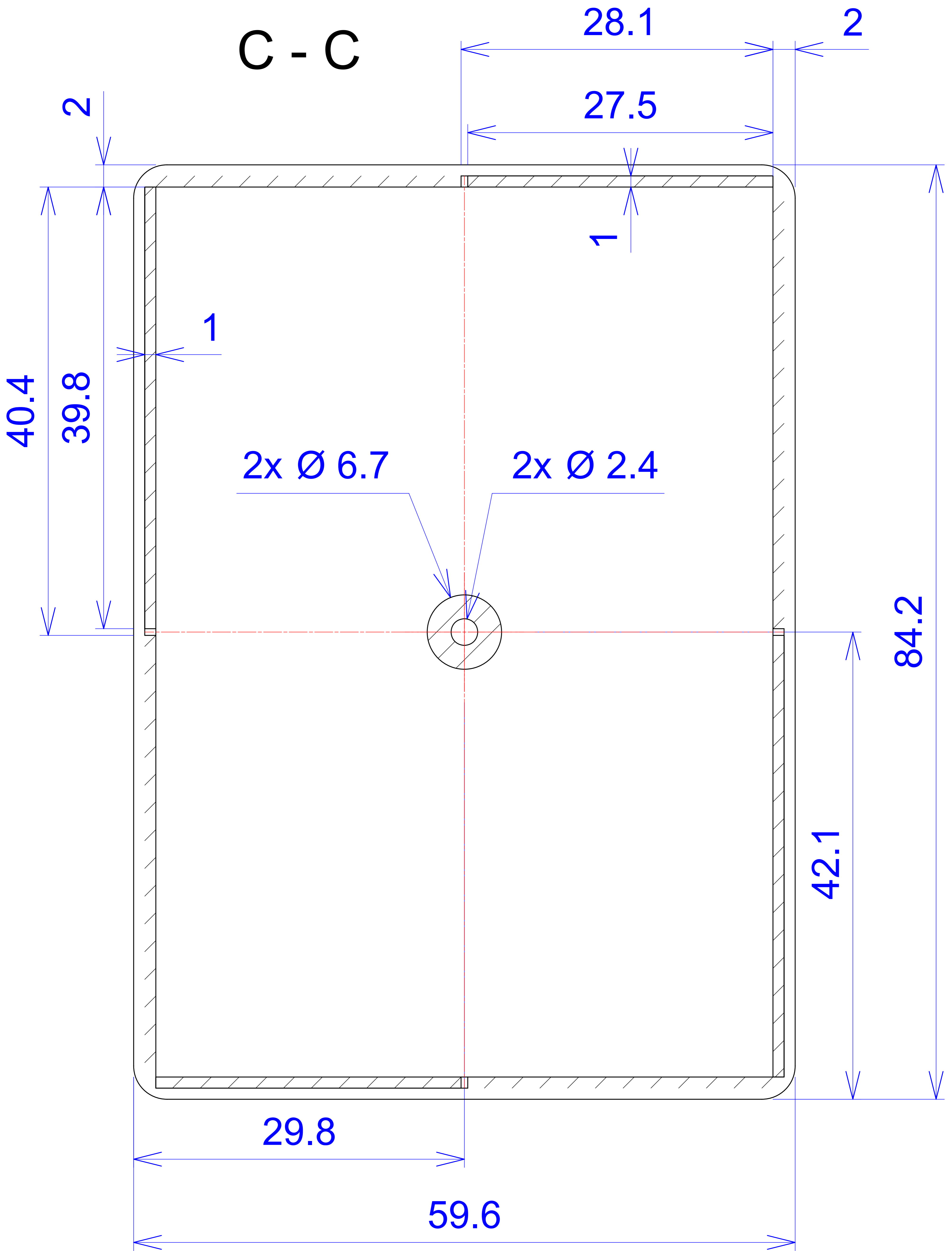








C - C



4x Ø 6.7

4x Ø 2.4

B - B

