

**ALPSALPINE****ALPSALPINE**

X CLOSE

Push Switch &gt; SPUJ Series &gt; SPUJ190900

## 2.0mm-travel Horizontal Type SPUJ Series

| [Dimensions](#) | [Mounting Hole Dimensions](#) | [Actuator Configuration at Front Edge](#) |  
 | [Circuit Diagram](#) | [Packing Specifications](#) | [Soldering Conditions](#) |  
 | [Products Line of Knob](#) |

Part number [Series Common Info](#)**SPUJ190900**
 NET SHOP

 3D CAD

 RoHS

 Print

 Inquiry

Changeover timing Non shorting

Travel 2mm

Total travel 3mm

Operating force  $1.5 \pm 1N$ 

Mounting method PC board

Poles 2

Operation Latching

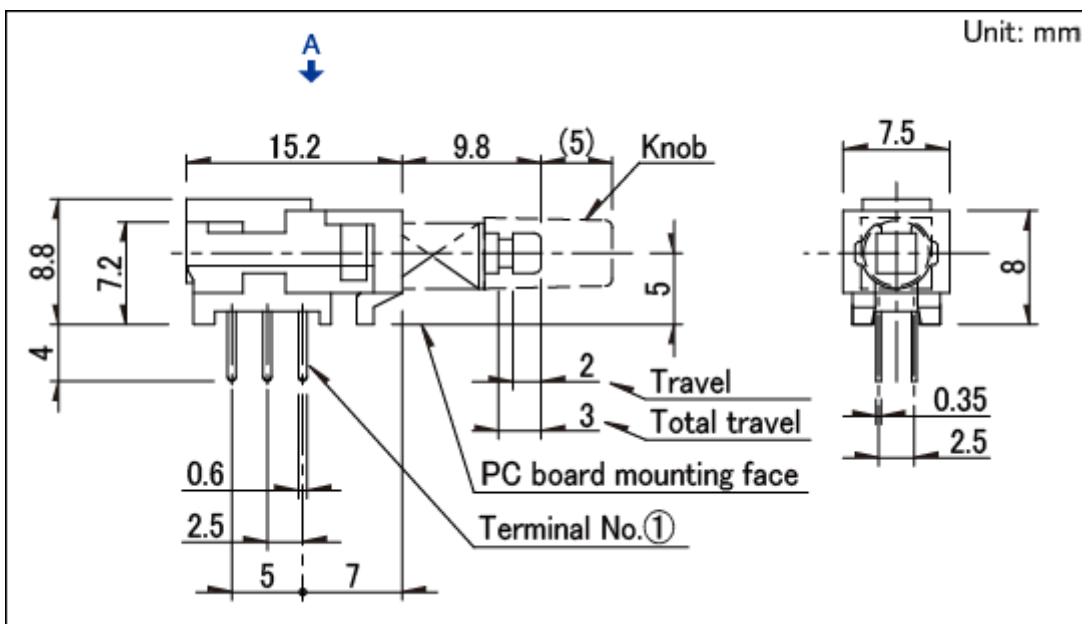
Terminal type Straight

Operating temperature range

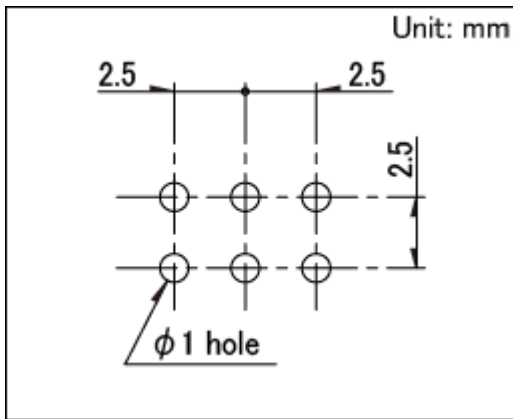
-10°C to +60°C

Rating (max.)/(min.) (Resistive load)			0.1A 30V DC/50 $\mu$ A 3V DC
Electrical performance	Contact resistance (Initial performance/After lifetime)		20m $\Omega$ max./40m $\Omega$ max.
	Insulation resistance		100M $\Omega$ min. 500V DC
	Voltage proof		500V AC for 1 minute
	Terminal strength		5N for 1 minute
Mechanical performance	Actuator strength	Operating direction	50N
		Pulling direction	50N
Durability	Operating life without load		10,000 cycles
			40m $\Omega$ max.
	Operating life with load (at max. rated load)		10,000 cycles
Environmental performance	Cold		-20°C 96h
	Dry heat		85°C 96h
	Damp heat		40°C, 90 to 95%RH 96h
Minimum order unit (pcs.)	Japan 600 Export 3,000		

## Dimensions

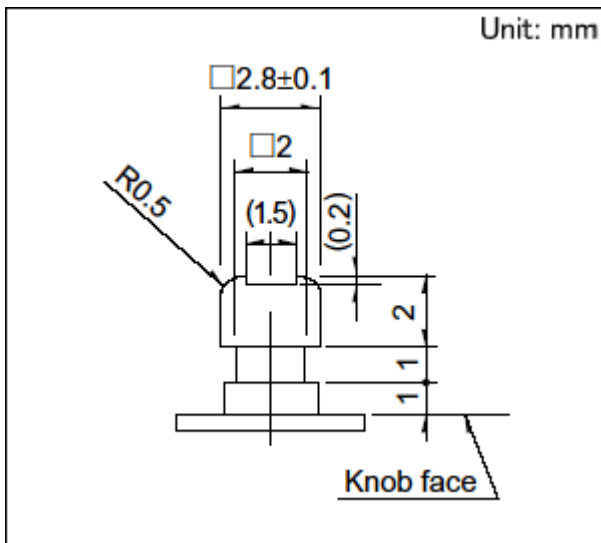


## Mounting Hole Dimensions

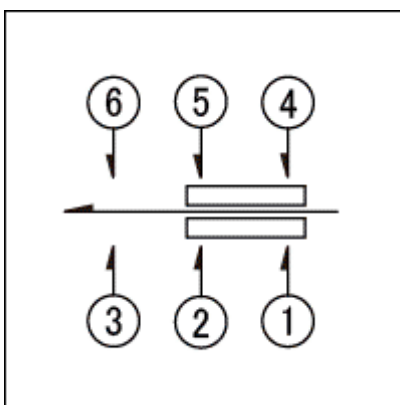


Viewed from direction A in the dimensions.

## Actuator Configuration at Front Edge



## Circuit Diagram



## Packing Specifications

### Bulk

Number of packages (pcs.)	1 case / Japan	600
	1 case / export packing	3,000

Export package measurements (mm) 400 × 270 × 290

## Soldering Conditions

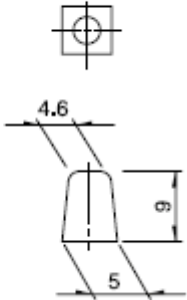
### Reference for Dip Soldering

Items	Preheating temperature-	
	Preheating time	-
Dip soldering	Soldering temperature	260 ± 5°C
	Duration of immersion	5 ± 1s

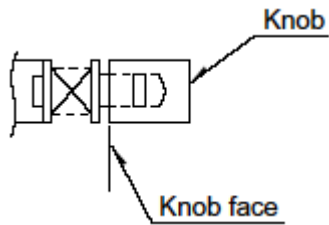
### Reference for Hand Soldering

Soldering temperature	300 ± 5°C
Soldering time	3 + 1/0s

## Products Line of Knob

Knob outline drawing (Unit :mm)	Color	Model
	Black	UJ206022

We recommend the use of adhesive to secure the knob when mounting onto switches.



## Notes are common to this series/models.

1. This site catalog shows only outline specifications. When using the products, please obtain formal specifications for supply.
2. Please place purchase orders per minimum order unit (integer).
3. Products other than those listed in the above chart are also available. Please contact us for details.

## Inquiries about Products

[Inquiry.](#)

COPYRIGHT© 2020 ALPS ALPINE CO., LTD