

0.32 Inch Single Digit Display
OSL10326-IIX (Common Anode type)
OSL10326-LLX (Common Cathode type)

■ Features

- 0.32 Inch Single Digit Display
- Long lifetime operation
- IC compatible
- Low power dissipation
- Number of pins :10

■ Applications

- Counting device
- Clock

■ Absolute Maximum Rating (Ta=25°C)

Item	Symbol	Value		Unit
		RA/R/YG/Y	B/G	
DC Forward Current	I _F	20	20	mA
Pulse Forward Current*	I _{FP}	100	100	mA
Reverse Voltage	V _R	5	5	V
Power Dissipation	P _t	44	66	mW
Operating Temperature	Topr	-30 ~ +70		°C
Storage Temperature	Tstg	-40~ +85		°C
Lead Soldering Temperature(1.6mm from seating plane)	Tsol	260°C/5sec		°C

*Pulse width Max.10ms Duty ratio max 1/10

■ Electrical -Optical Characteristics (Ta=25°C)

Part Number	Color		V _F (V)			I _R (μA)	I _v (mcd)			λD(nm)		
			Min.	Typ.	Max.	Max.	Min.	Typ.	Max.	Min.	Typ.	Max.
			I _F =20mA			V _R =5V	I _F =20mA					
OSL10326-IIW(LLW)	White	W	-	3.1	3.6	20	-	65	-	X:0.27 Y:0.28		
OSL10326-IIB(LLB)	Blue	B	■	3.1	3.6	20	-	50	-	460	465	475
OSL10326-IIG(LLG)	Pure Green	G	■	3.1	3.6	20	-	200	-	515	525	530
OSL10326-IYG(LLYG)	Yellow Green	YG	■	2.2	2.6	20	-	12	-	565	571	575
OSL10326-IY(LLY)	Yellow	Y	■	2.1	2.5	20	-	60	-	585	590	595
OSL10326-IIO(LLO)	Orange	O	■	2.1	2.5	20	-	60	-	600	605	610
OSL10326-IIR(LLR)	Red	R	■	2.1	2.5	20	-	26	-	625	630	640
OSL10326-IIRA(LLRA)	High Luminance Red	RA	■	2.1	2.5	20	-	100	-	620	625	630

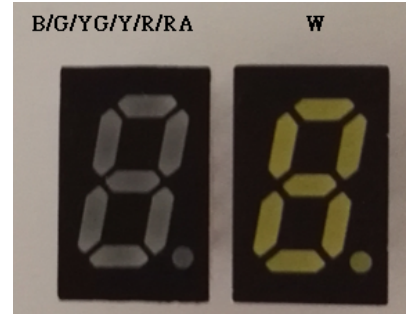
*1 Tolerance of measurements of chromaticity coordinates is ±10%

*2 Tolerance of measurements of dominant wavelength is ±1nm

*3 Tolerance of measurements of luminous intensity is ±15%

*4 Tolerance of measurements of forward voltage is ±0.1V

■ Photo

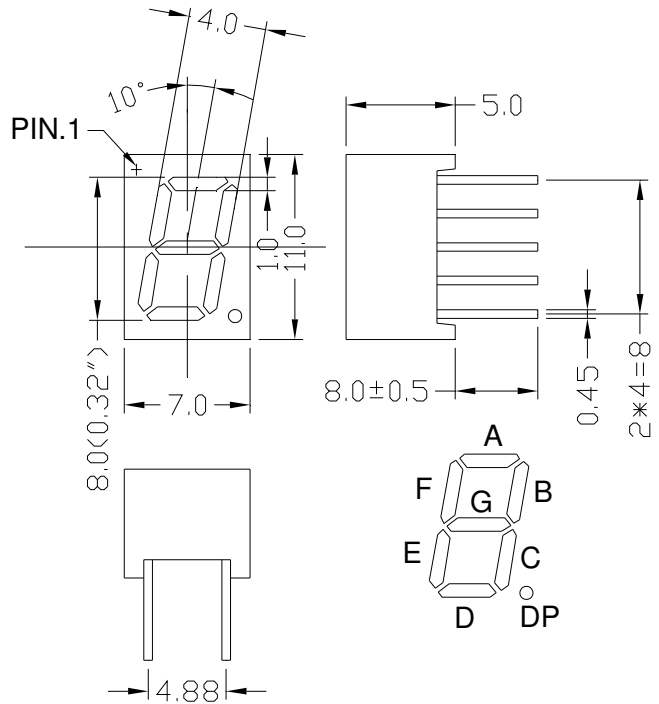
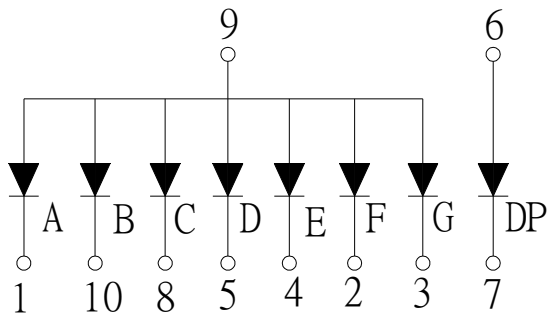


0.32 Inch Single Digit Display
OSL10326-IIX (Common Anode type)
OSL10326-LLX (Common Cathode type)

■ Package Dimensions and Pin Function

**OSL10326-IIX
(Common Anode type)**

Note:
1, Unit : mm (Tolerance: ±0.25mm unless otherwise noted)
2, The slope angle of any PIN may be ±5.0° Max



**OSL10326-LLX
(Common Cathode type)**

Note:
1, Unit : mm (Tolerance: ±0.25mm unless otherwise noted)
2, The slope angle of any PIN may be ±5.0° Max

