



POWER SUPPLY SPECIFICATION

MODEL NO.	MW MD15EU	ISSUE DATE	2020-02-20
CUSTOMER	Minwa	REF. NO.	

INPUT

INPUT VOLTAGE	100 to 240 Vac
INPUT FREQUENCY	60 / 50 Hz
NO LOAD POWER CONSUMPTION	<0.1W
INPUT FULL LOAD CURRENT (at 100 Vac)	0.5 A

OUTPUT

OUTPUT VOLTAGE (DC)	9.0 / 12.0 / 13.5 / 15.0 / 18.0 / 20.0 / 24.0V
OUTPUT CURRENT	9.0 / 12.0 / 13.5 / 15.0V,1.5A; 18.0 / 20.0V,1.2A; 24.0V,1.0A

OVERALL PERFORMANCE

OUTPUT POWER	9.0V (13.5W) / 12.0 (18W) / 13.5 (20.25W) / 15.0V, (22.5W); 18.0V (21.6W) / 20.0V (24W) ; 24.0V (24W) max
AVERAGE ACTIVE EFFICIENCY	Min 83.6% (for 9.0V);Min 85.0% (for 12.0V); Min 85.5% (for 13.5V); Min 86.0% (for 15.0V); Min 85.8% (for 18.0V); Min 86.2% (for 20V); Min 86.2% (for 24V)
EFFICIENCY AT LOW LOAD (10%)	Min 73.6% (for 9.0V);Min 75.0% (for 12.0V); Min 75.5% (for 13.5V); Min 76.0% (for 15.0V); Min 75.8% (for 18.0V); Min 76.2% (for 20V); Min 76.2% (for 24V)

PROTECTION

<input checked="" type="checkbox"/> OVER CURRENT PROTECTION	<input checked="" type="checkbox"/> SHORT CIRCUIT PROTECTION
<input checked="" type="checkbox"/> OVER VOLTAGE PROTECTION	<input checked="" type="checkbox"/> L.P.S (Limits for power source)
<input checked="" type="checkbox"/> OVER POWER PROTECTION	<input type="checkbox"/> AUTOMATIC THERMAL PROTECTION

HI-POT

INPUT TO OUTPUT	3000Vac 5 mA 50 Hz
INPUT TO CASE	3000Vac 5 mA 50Hz
OUTPUT TO CASE	500 Vac 5 mA 50Hz
ISOLATION RESISTANCE	100 M Ohms I/P-O/P I/P/Enclosure
APPLIANCE	Class II

ENVIRONMENTAL

OPERATING TEMPERATURE	0 °C to 25 °C
STORGE TEMPERATURE	-20 °C to 60 °C
OPERATING HUMIDITY	20%-85% RH. NON-CONDENSING
STORGE HUMIDITY	10%-90% RH. NON-CONDENSING

SAFFTY STANDARDS

SAFETY STANDARDS	EN 62368-1:2014+ A11:2017
EMC STANDARDS	EN 61204-3:2000

RELIABILITY

MTBF	30000 Hours min
BURN-IN	4 Hours 25°C, full load, 220Vac, 50Hz

MECHANICAL SPECIFICATION

DIMEMSION	87.5 mm(L) x 51.0 mm(W) x 40.1mm(H) (excluded plug) 87.5 mm(L) x 51.0 mm(W) x 77.4mm(H) (included plug)
-----------	--

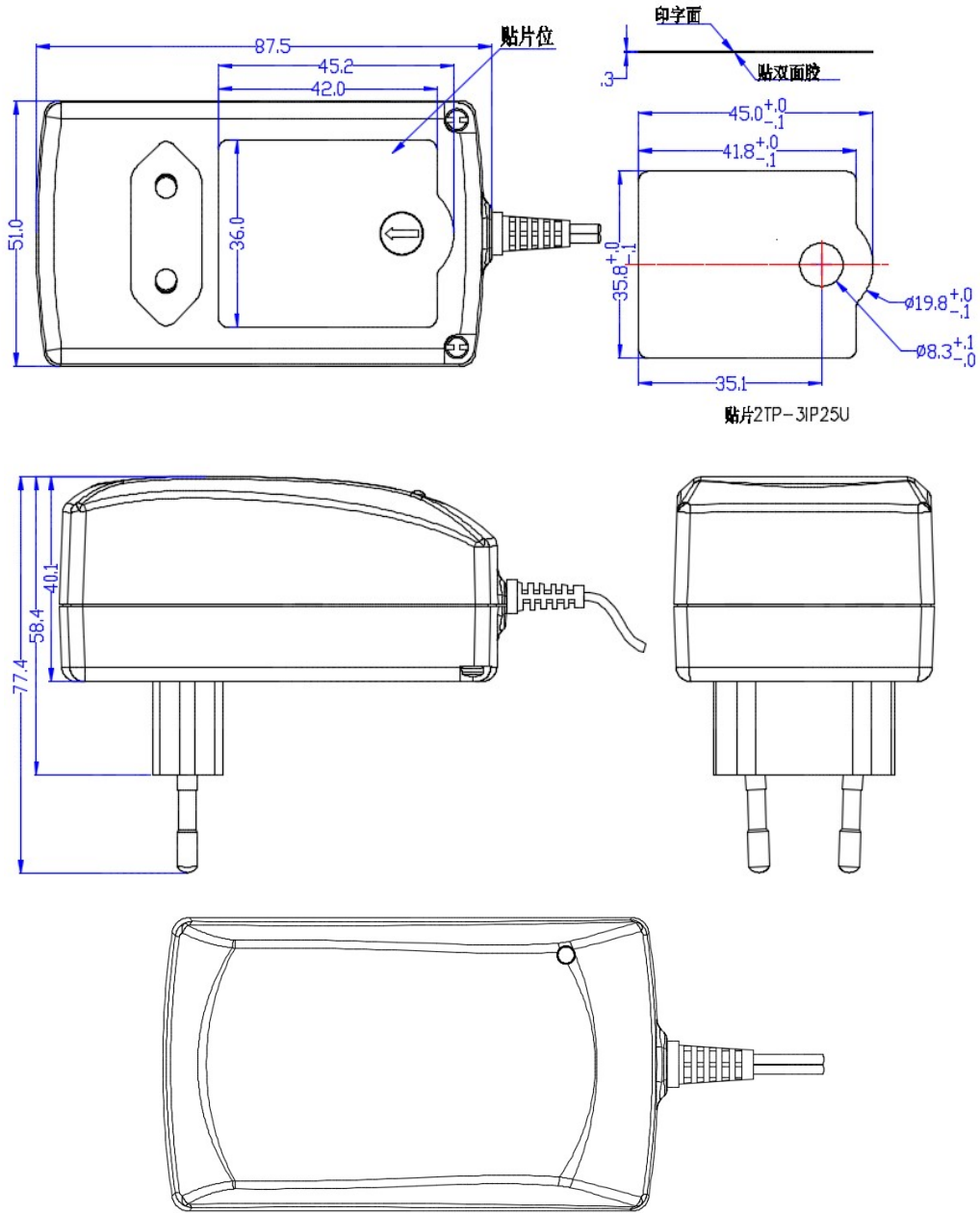


POWER SUPPLY SPECIFICATION

MODEL NO.	MW MD15EU	ISSUE DATE	2020-02-20
CUSTOMER	Minwa	REF. NO.	

WEIGHT	g MAX exclude packing
INPUT PLUG	Direct plug-in EU type
OUTPUT CORD	PVC, Length 1.8m
OUTPUT PLUG	Depends on client request

Appearance



APPROVE:

AUDITING:

CONNER: