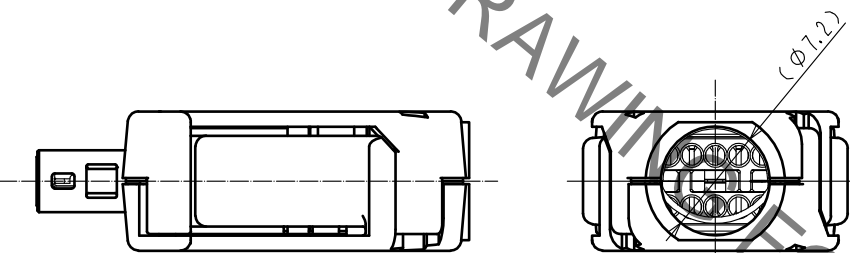
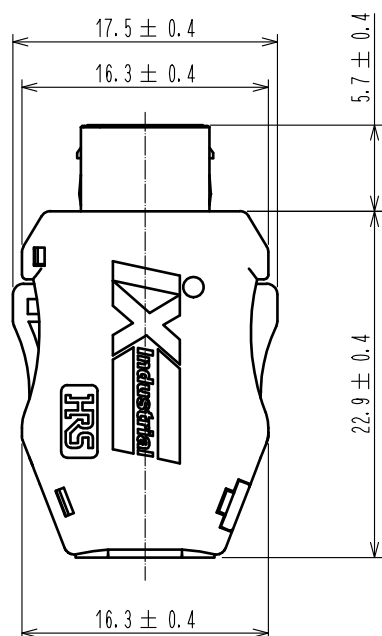
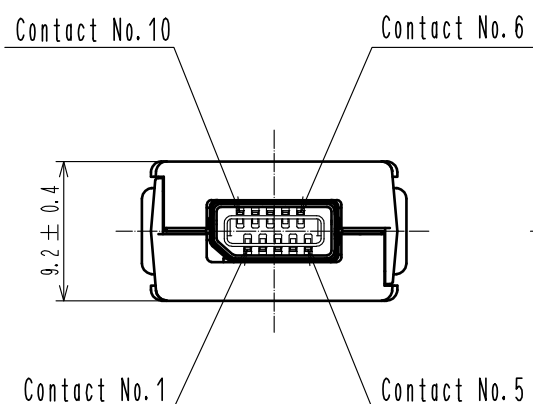
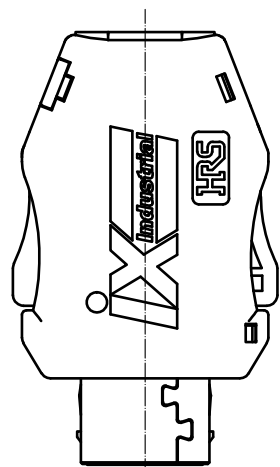


Jul.1.2020 Copyright 2020 HIROSE ELECTRIC CO., LTD. All Rights Reserved.  
In case of consideration for using Automotive equipment / device which demand high reliability, kindly contact our sales window correspondents.



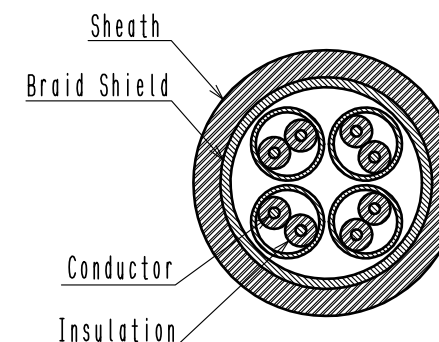
Pin Assignment For 10/100 Mbit/s And 1/10 Gbit/s Ethernet

Contact No.	Signal	
	10/100 Mbit/s	1/10 Gbit/s
1	TX+	BI_DA+
2	TX-	BI_DA-
3	N.C	N.C
4	N.C	BI_DC+
5	N.C	BI_DC-
6	RX+	BI_DB+
7	RX-	BI_DB-
8	N.C	N.C
9	N.C	BI_DD+
10	N.C	BI_DD-

Notes. 1. Applicable cable condition is shown below.  
In case of using a not applicable cable, please contact our sales representative.  
Refer to the technical specification (ETAD-E3162-00) for wiring and assembly procedure.

Applicable Cable

Items		Applicable Condition
Conductor	Size	AWG#24 to 25 $\triangle$
	Composition	7 stranded
	Material	Annealed copper wire
Insulation O.D.		$\phi$ 1.1 to 1.25mm
Braid Shield		Tin plating
Sheath O.D.		$\phi$ 6.3 to 7.2mm

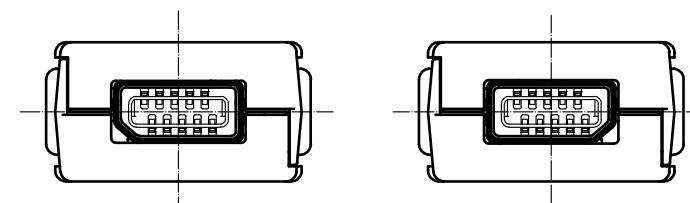


2. This product (Type A) is defined for 10/100 Mbit/s and 1/10 Gbit/s Ethernet communication. Please use Type B for all other non Ethernet applications like signaling, serial or other industrial bus communication systems.

Mating Shape

Type A

Type B



3 This product except plug unit is packed separately by the types of parts.  
Shield shell is packed in pre-bended state. (See next page.)

NO.	MATERIAL	FINISH	REMARKS	NO.	MATERIAL	FINISH	REMARKS
4	PA		Black, UL94V-0	8	PC		Dark gray, UL94V-0
3	Stainless Steel			7	Stainless Steel		Nickel 0.2 $\mu$ m min
2	PA		Dark gray, UL94V-0	6	Stainless Steel		Nickel 1 $\mu$ m min
1	Copper Alloy		Contact area : Gold 0.2 $\mu$ m min Wiring area : Gold 0.03 $\mu$ m min Under plating : Nickel 2 $\mu$ m min	5	PC		Clear yellow, UL94V-0

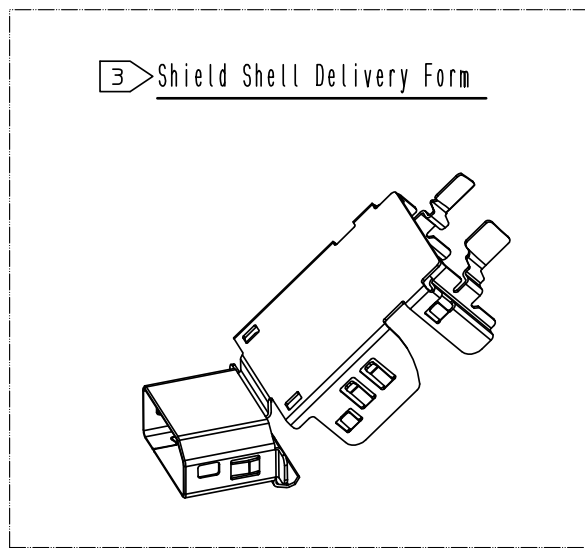
  

UNITS	SCALE	COUNT	DESCRIPTION OF REVISIONS	DESIGNED	CHECKED	DATE
mm	2 : 1	1	DIS-E-00002960	JY. IGA	KI. NAGANUMA	20200327

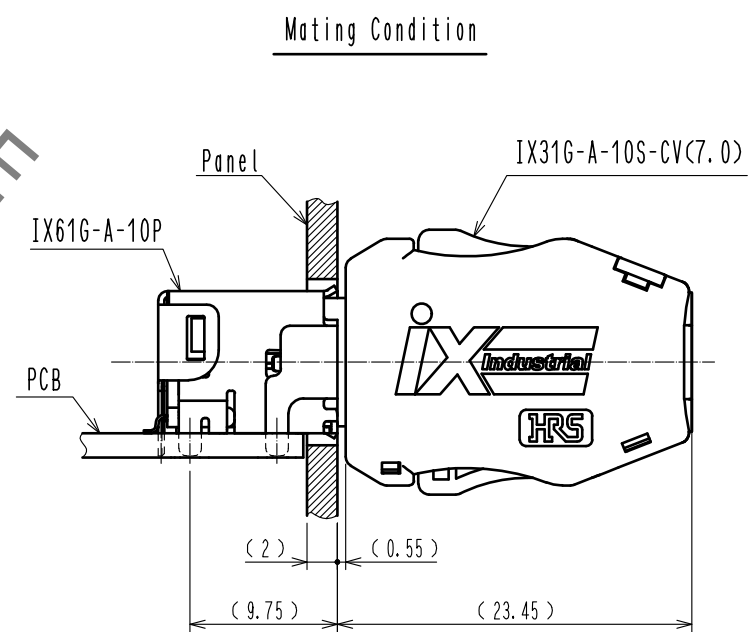
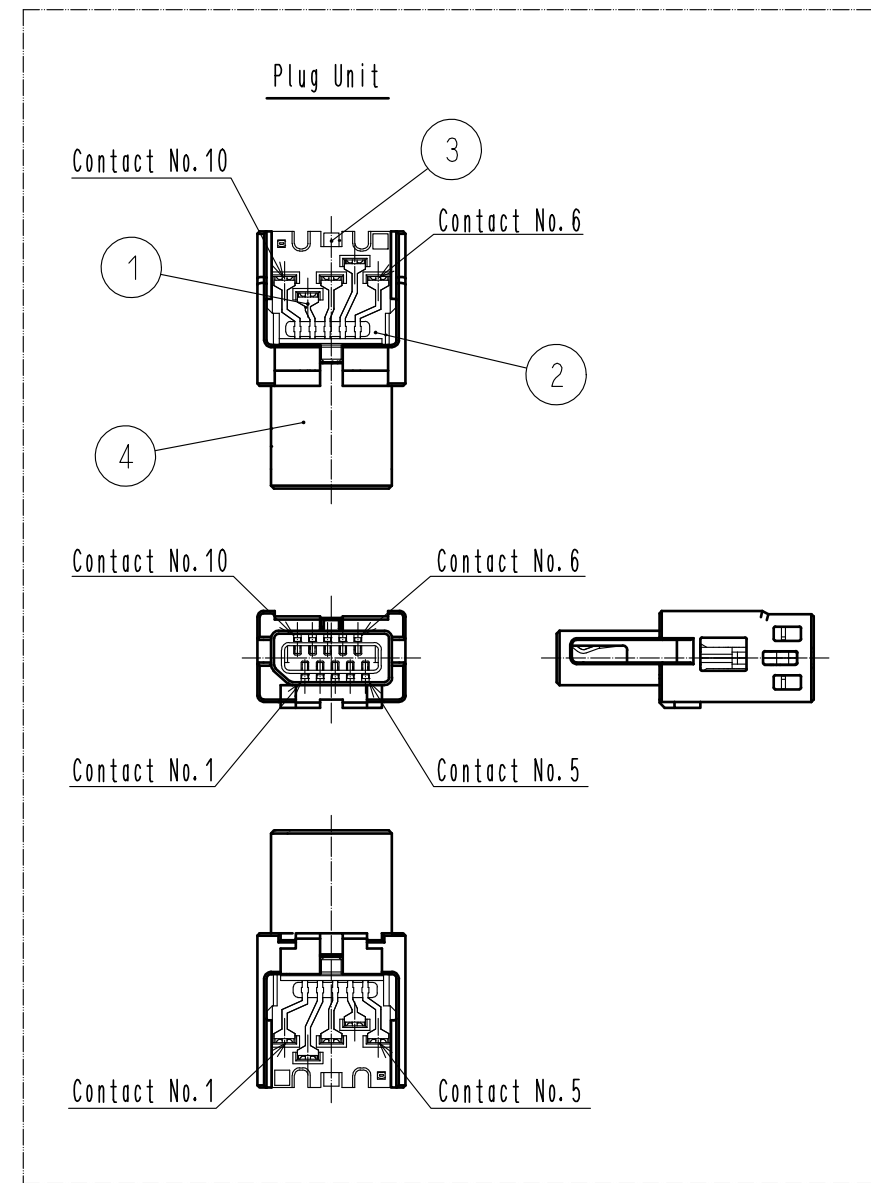
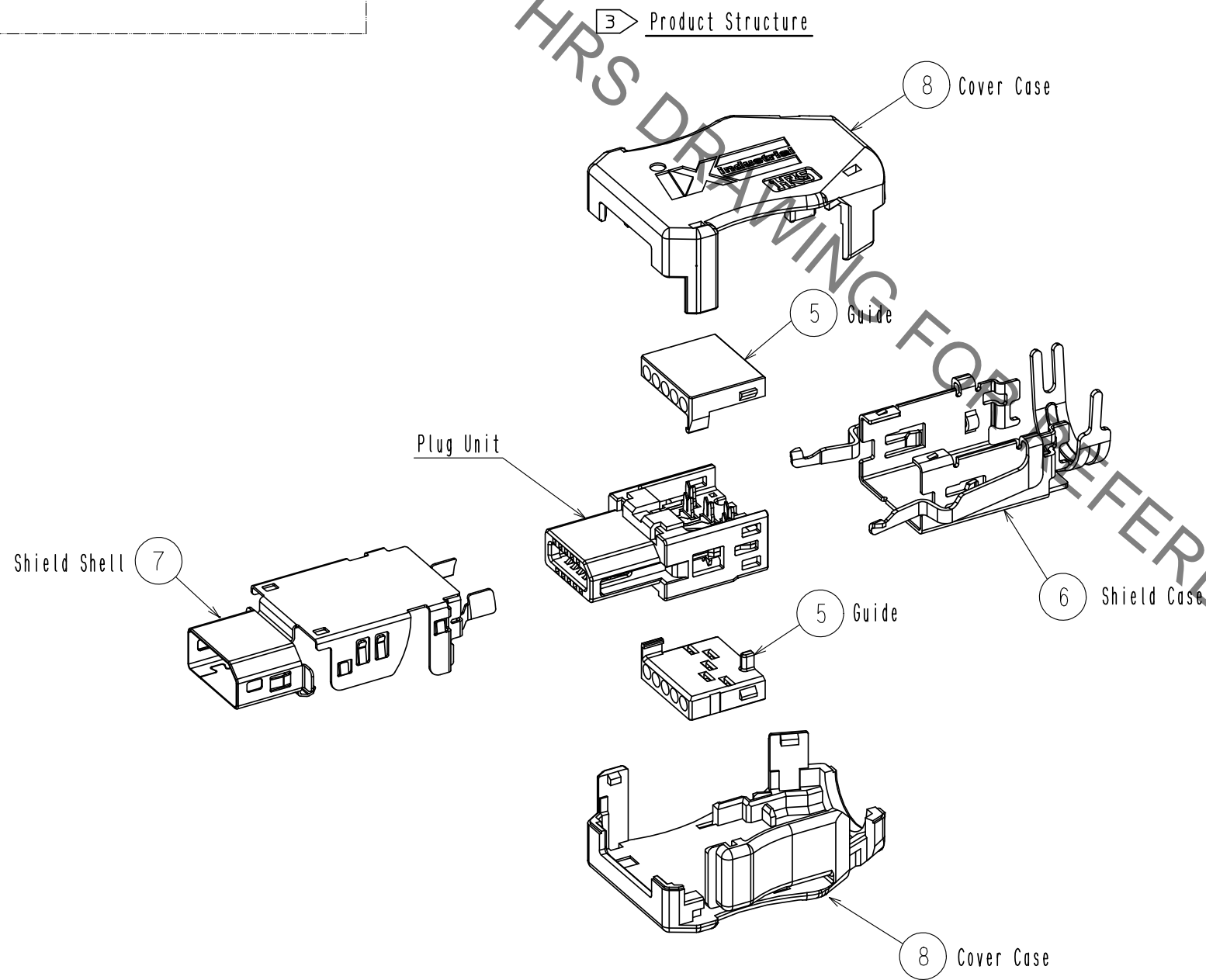
  

APPROVED	CHECKED	DESIGNED	DRAWN	DRAWING NO.	PART NO.	CODE NO.
RI. TAKAYASU	KI. NAGANUMA	HT. SATO	HT. SATO	EDC-129485-00-00	IX31G-A-10S-CV(7.0)	CL251-0023-0-00

Jul.1.2020 Copyright 2020 HIROSE ELECTRIC CO., LTD. All Rights Reserved.  
 In case of consideration for using Automotive equipment / device which demand high reliability, kindly contact our sales window correspondents.



HRS DRAWING FOR REFERENCE



<b>HRS</b>	DRAWING NO.	EDC-129485-00-00	
	PART NO.	IX31G-A-10S-CV(7.0)	
	CODE NO.	CL251-0023-0-00	